



VIDEO

ELECTRIC VEHICLE

# PVE



Universal two post lift for the electric vehicles

 **1 ton**  
MAX LOAD

 **30"**  
UP

 **1945 mm**  
MAX HEIGHT

Robustness and reliability

Flexibility

High safety standards

Versatility

Ergonomics

3500 Kg



City car



Suv



Commercial vehicles



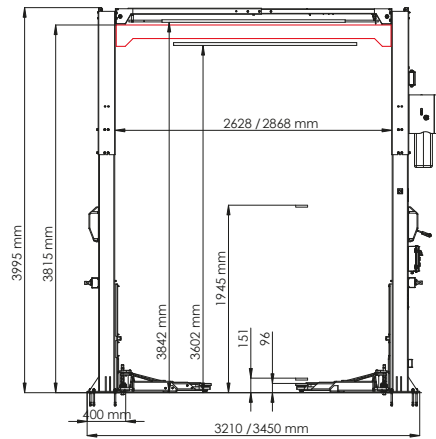
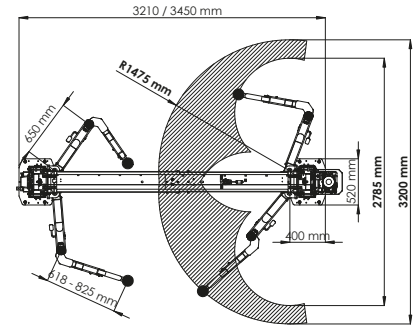
City car



Suv



Commercial vehicles



		PVE 63810001	
	Load capacity	max	3500
<b>Lifting</b>			
	Max lifting height		1945
	Maximum lifting stroke		1800
	Lifting time		↑ 30 sec
	Hydraulic circuit pressure		180
	Power supply	max	2,2 kW
	Voltage	max	Trifase - 230/400 V - 50 Hz
	Rated current		4,9 A
	'A' Weighted sound pressure level (LPA)		75 dB