



Safe, stable and strong
Standard lift for ELV's depollution

DEPOLLUTION LIFTS

PM35



Depollution mobile lift



3.5 tons
MAX LOAD



34" / 15"
UP / DOWN



2 m
MAX HEIGHT

Safe, stable and strong

High lifting speed

Specially designed for the depollution process

High safety standards

Easy to use

Easy maintenance



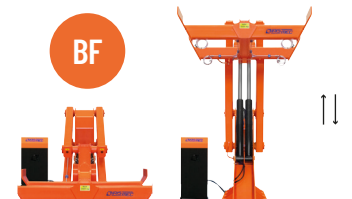
Suction cups to draw the brake fluid from external circuit



VIDEO

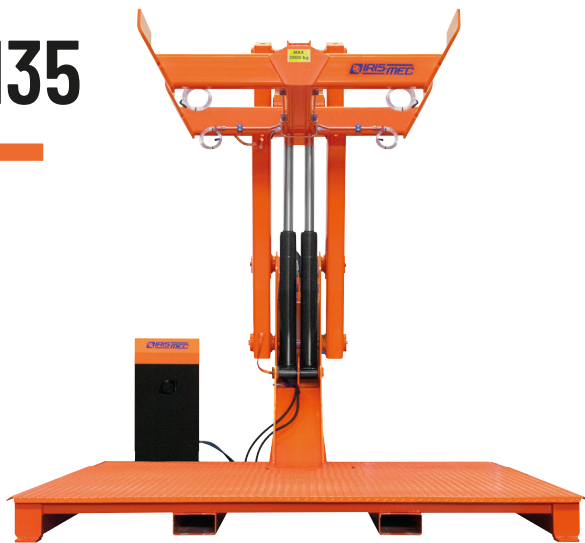


Non-slip platform



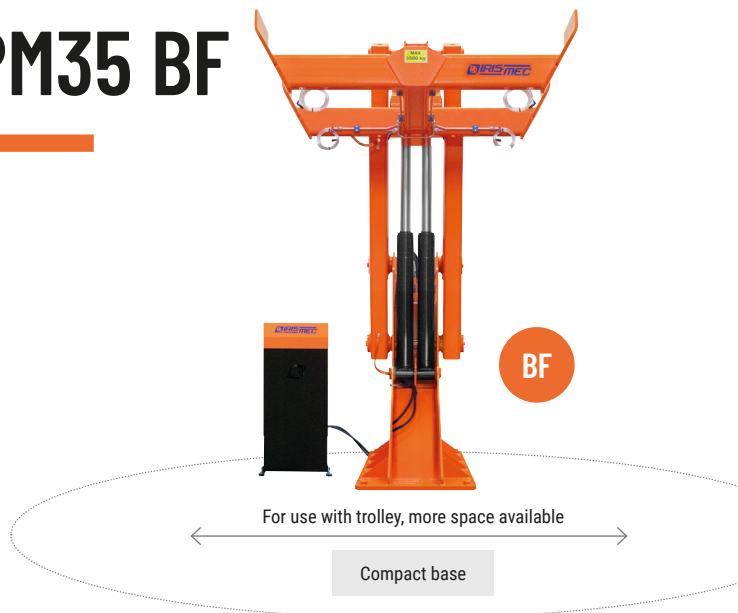
Compact base

PM35



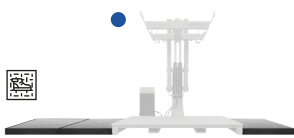
Non-slip platform

PM35 BF



OPTIONAL

- GR-P: 3 drainage tanks with non-slip grating - 200 x 85 x h 12,5 cm
- GR-4R: 4 drainage tanks with non-slip grating - 150 x 100 x h 12,5 cm
- BND: Tools support arm
- BSM: Engine disassembly bench



GR-P



GR-4R



		PM35 (120082700) - PM35 BF (120082700BF)	
	Load capacity	max	3500
Lifting			
	Max lifting height		1980
	Maximum lifting stroke		1530
	Lifting time		↑ 34" - 15" ↓ sec
	Hydraulic circuit pressure	max	150
	Power supply	max	3 kW
	Voltage	max	Three-phase - 400 V - 50 Hz
	Rated current		6,5 A
	'A' Weighted sound pressure level (LPA)		70 dB